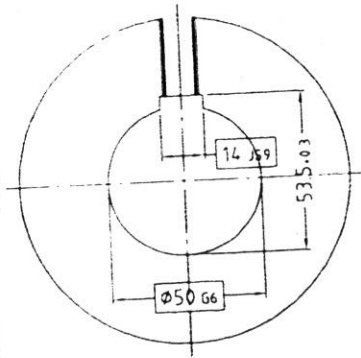
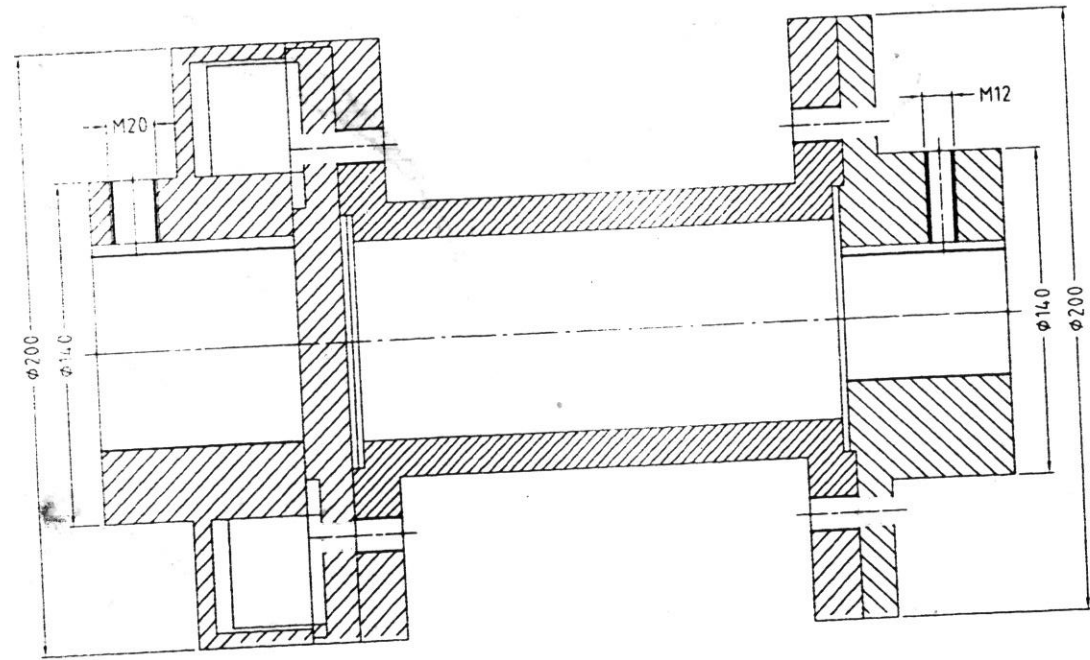
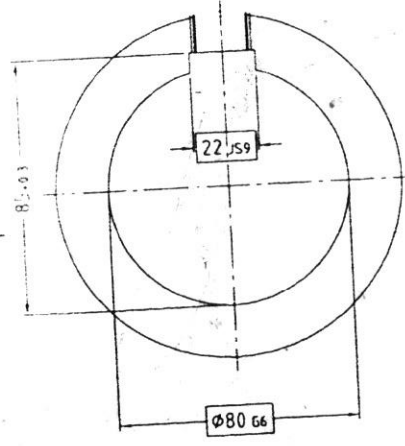


$\phi 80$	G6	-0.029	80.029
		-0.01	80.01
$\phi 50$	G6	-0.025	50.025
		-0.009	50.009
22	JS9	-0.026	22.026
		-0.026	21.974
14	JS9	-0.021	14.021
		-0.021	13.979
Dimen.	Fit		



Motor Side

Pump Side